

BEAUFORT Horizontal Fitting Instructions

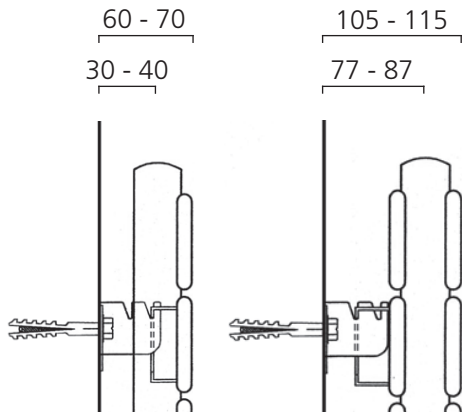
Steel Radiator in White RAL 9016
70mm Flat Tube, 35mm Round Collectors



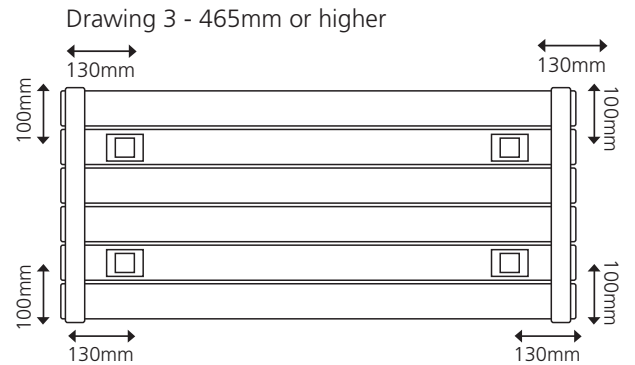
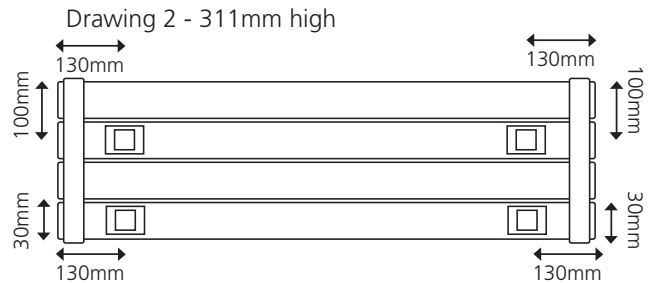
Please read these instructions and terms and conditions carefully prior to installation. Failure to do so may invalidate the warranty.

Drawings

Drawing 1 - Brackets Single & Double



Bracket Positions & Measurements



Pipe Centres

	Single	Double
Pipe centres left to right	= width minus 50mm	width minus 50mm
Pipe centres from wall	= 30mm - 40mm	77mm - 87mm
Depth from wall	= 60mm - 70mm	105mm - 115mm

1. Unpack & Inspect

This product should have reached you in perfect condition. Please carefully unpack and inspect this radiator and all fittings. Your point of purchase must be notified of any shortages or damage within 28 days of delivery. For further information please see terms and conditions on reverse.

2. Contents

You should have:

- 1 Radiator
- 4 Wall Brackets
- 4 Wall Plugs
- 4 Screws
- 1 Manual Airvent
- 1 Blanking Plug
- 1 Diverter

You will need:

- Tape measure
- Electric drill and bits
- Spirit level
- 10mm long reach allen key or 10mm hex bit plus long reach driver (only required if fitting diverter - see step 6).

PLEASE NOTE: Systems using micro bore pipework must have adequate pressure and flow rates for the number and style of radiators on the system.

3. Mark Bracket Positions

Radiators 311mm high have four fixing positions. Accurately measure 100mm down from the top and 130mm in from either end (please see drawing 2 on other page). For the two bottom brackets, accurately measure 25mm up from the bottom and 130mm in from either end (please see drawing 2 on other page).

Radiators 465mm and higher have four fixing positions. For the two top brackets, accurately measure 100mm down from the top and 130mm in from either end. For the two bottom brackets, accurately measure 100mm up from the bottom and 130mm in from either end (please see drawing 3 on other page).

4. Fix Brackets

Using a suitable drill bit, screws and plugs, fix the brackets and level with a spirit level.

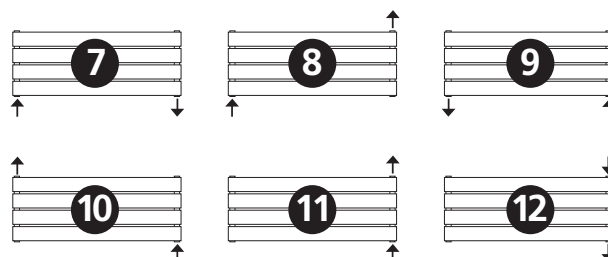
PLEASE NOTE:

It is essential that all brackets are level and square prior to hanging the radiator to ensure a vertical alignment for connecting the pipework.

5. Hang Radiator

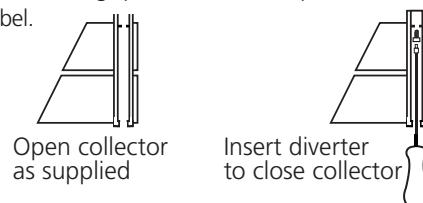
With the brackets firmly fixed and level, the radiator is pushed directly onto the brackets and lowered into the first or second slot of each bracket simultaneously. Single radiators are positioned on the first slot (furthest from the wall); double radiators are positioned on the second slot (nearest the wall) (please see drawing 1 on other page).

6. Fit Diverter & Commission Radiator



For connection options 7, 8, 9 & 10 the radiator can be commissioned as supplied without the need for the diverter to be installed.

For connection options 11 or 12 you will need to insert the diverter into the collector. The diverter is the threaded nut with a 10mm hex slot contained in the fittings pack. The diverter position is indicated by a coloured label.



When commissioning your radiator on an indirect/closed system we recommend using a suitable mixed metal inhibitor to protect against scale & corrosion. **Damage caused to systems not protected by a suitable inhibitor will not be covered by manufacturer's guarantee.**

Technical Specifications

Materials	Steel.
Connections	½" flow and return.
Test pressure	5 Bar
Maximum operating pressure	3.3 Bar
Maximum working temperature	90°C
Packaging	Wrapped in polythene & boxed.

Guarantees & Liabilities

This product is guaranteed for 5 years. As we are not the manufacturers of this product we will take all reasonable endeavours to make over to you the benefit of any warranty or guarantee given by the manufacturer.

The guarantees in all cases are subject to the products being installed in accordance with British and or European standards as well as these fitting instructions. The guarantees in all cases are restricted to the free of charge replacement or repair of the failed product only. Our liability will under no circumstances extend beyond the repair or replacement of the product supplied by us. Claims for either labour in replacement or damage to property are not admissible. Any goods that are returned, in the event of a problem, will belong to us.

Terms & Conditions

All products must be inspected once removed from the packaging and your point of purchase notified within 28 days of delivery of any scratches, blemishes or other damage. Your point of purchase will then agree appropriate action.

Imperfect radiators should therefore not be fitted and we will not accept responsibility for replacement of scratched or damaged radiators once they have been fitted. This includes any consequential loss or cost of fitting.

If we are not notified within 28 days of the date on the signed delivery note then it will be deemed that we have fully complied with our obligations and claims will not be considered.

Failure to comply with any of the above may invalidate any claims. We recommend that after you check the product on delivery that it is stored in its packaging to prevent damage prior to installation, we cannot accept responsibility for items damaged after delivery.

For full details of our Terms and Conditions please visit www.supplies4heat.co.uk or call us on 01342 306880.