

CLEVES

- Classic Steel Towel Rail
- Available in 3 sizes
- Chrome finish only
- Floor Standing or Wall Mounted options
- Dual Fuel available please specify at time of order
- Manufactured & certified to EN442



Sizes and Prices

Dimensions (mm)			Cross Tubes	Output Δt 50°C		Product Code	Chrome Ex VAT	Chrome Inc VAT
Height	Width	Depth		Watts	Btu's			
Wall Mounted								
750	500	125	4	169	577	CLEV75504C	£318.00	£381.60
Floor Standing								
848	598	137	4	163	556	CLEV845904C	£328.00	£393.60
1548	598	144	5	310	1058	CLEV155905C	£399.00	£478.80

Supplement Prices for Dual Fuel Option

Description	Product Code	Price Ex VAT	Price Inc VAT
75W Dual Energy Element (for Floor Standing Rail)	75WDEELE	£43.00	£51.60
100W Dual Energy Element (for Wall Mounted Rail)	100WDEELE	£49.00	£58.80

Note: A T-piece is required for dual fuel, please see the bottom of page 67 for more information.

Please Note: Elements have an IP rating of 55 and are guaranteed for 2 years.



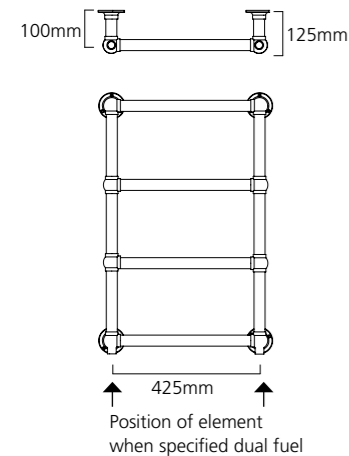
CLEVES Floor Standing option.



CLEVES Wall Mounted option.

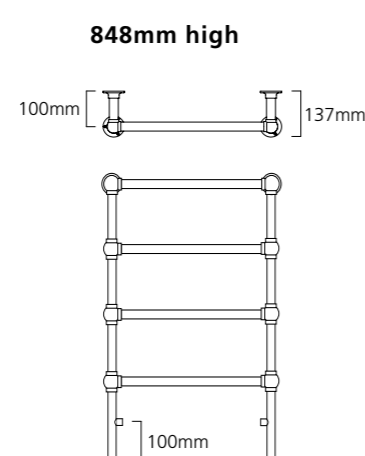
Pipe Centres and Technical Drawings

CLEVES Wall Mounted 750mm high



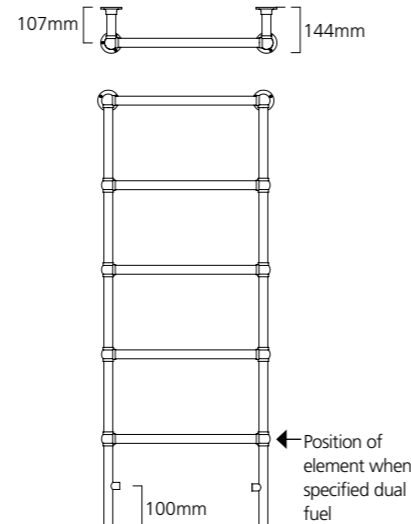
Pipe centres left to right = Width less 75mm
 Pipe centres from wall = 100mm
 Depth from wall = 125mm

CLEVES Floor Standing 848mm high



848mm high
 Pipe centres left to right = Width less 145mm less valves
 Pipe centres from wall = 100mm
 Depth from wall = 137mm

1548mm high



1548mm high
 Pipe centres left to right = Width less 145mm less valves
 Pipe centres from wall = 107mm
 Depth from wall = 144mm



Chrome Pipe Covers & Shrouds (p.65)



◆ CLEVES Floor Standing 1548mm x 598mm shown with WILLOW Valves.