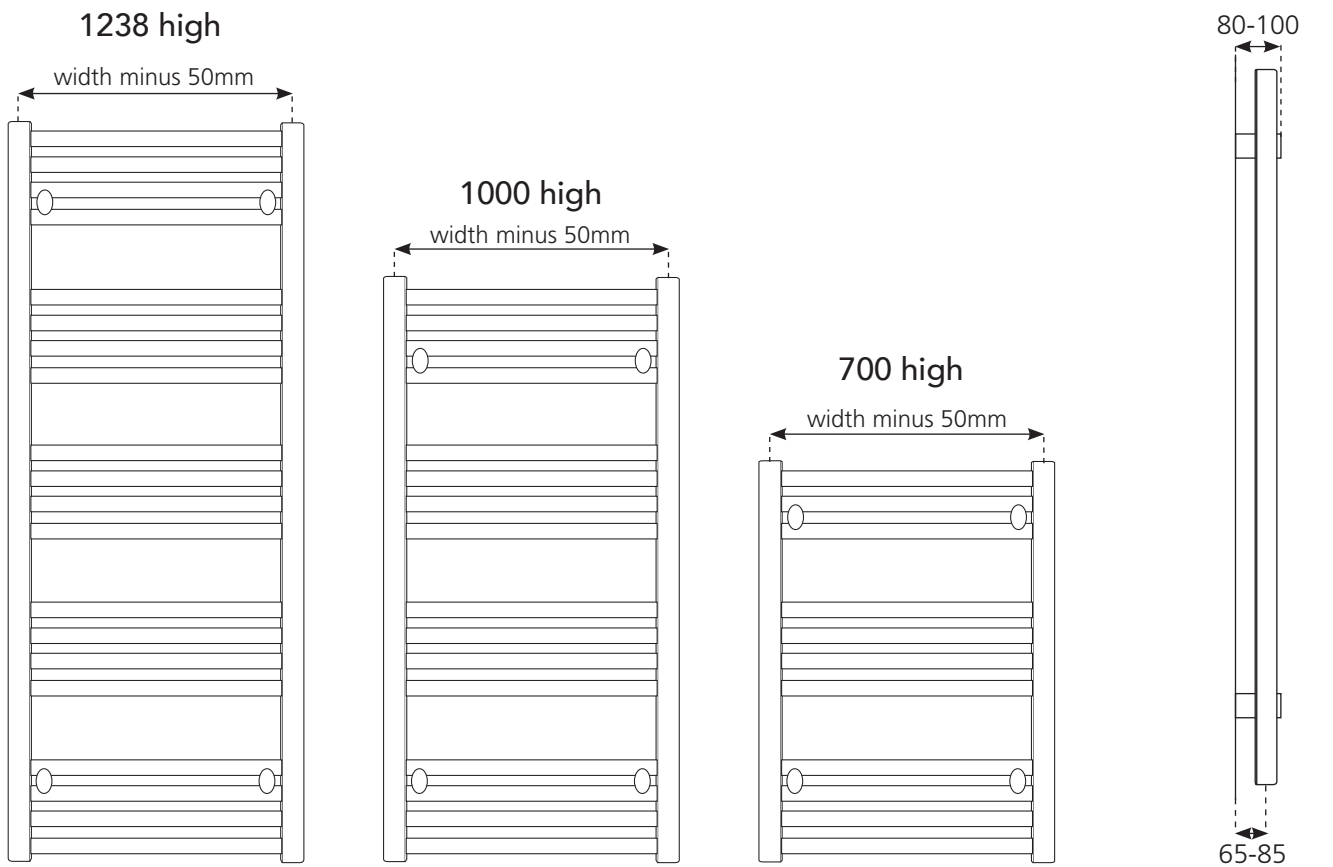


Winsford White Fitting Instructions

Please read these instructions and terms and conditions carefully prior to installation. Failure to do so may invalidate the warranty.



Drawings



Pipe Centres

Pipe centres left to right	=	width minus 50mm
Pipe centres from wall	=	65mm - 85mm
Depth from wall	=	80mm - 100mm

1. Unpack & Inspect

This product should have reached you in perfect condition. Please carefully unpack and inspect this radiator and all fittings. Your point of purchase must be notified of any shortages or damage within 28 days of delivery. For further information please see terms and conditions on reverse.

2. Contents

You should have:

- 1 Towel rail
- 4 Brackets (in parts)

You will need:

- Tape measure
- Electric drill and bits
- Spirit level
- Airvent key
- Appropriate wall fixings
- Spanner for valves and vents

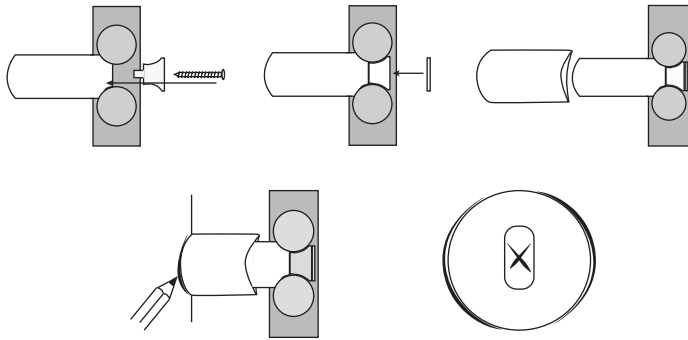
Cleaning:

Steel products can be cleaned using a soft damp cloth with a non abrasive cleaning product.

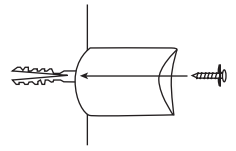
3. Hang Towel Rail

Referring to the diagrams overleaf, we have suggested positions for the brackets which will ensure even weight distribution.

1. To mark the position for the brackets, fix the top two brackets to the towel rail then mark the position for the brackets on the wall.

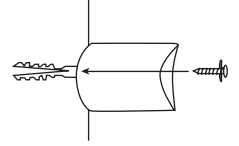


2. Using a spirit level, ensure the markings are level, and then using a suitable drill bit and plugs secure the bracket sleeves to the wall using the provided screw and washer (if appropriate for your wall type)

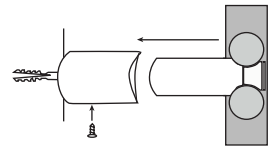


3. With the bracket body and head still attached to the towel rail, check the positions of the brackets on the wall. If correct, attach the bottom two bracket bodies and heads and then mark the positions for the bottom two brackets.

4. Using suitable drill bits and plugs secure the bottom two bracket sleeves to the wall.



5. Hang the towel rail by slotting into the bracket sleeves, and secure with the provided grub screw.



4. Commission Radiator

Please Note: In accordance with Part L1 2006 of the Building Regulations and BS7593:1992 code of practice for the treatment of hot water and central heating systems, we strongly recommend flushing the heating system post installation of new radiators and then adding the correct quantity and type of inhibitor for use with your radiator and system to prevent corrosion. Damage caused to systems not protected by a suitable inhibitor will not be covered by manufacturer's guarantee.

Technical Specifications

Materials	Steel
Connections	½" flow and return.
Test pressure	10.5 Bar
Testing authority	EN442
Maximum operating pressure	8 Bar
Maximum working temperature	95°C
Packaging	Plastic wrapped in cardboard box

PLEASE NOTE: Systems using micro bore pipework must have adequate pressure and flow rates for the number and style of radiators on the system.

Guarantees & Liabilities

This product is guaranteed for 5 years. As we are not the manufacturers of this product we will take all reasonable endeavours to make over to you the benefit of any warranty or guarantee given by the manufacturer.

The guarantees in all cases are subject to the products being installed in accordance with British and or European standards as well as these fitting instructions. The guarantees in all cases are restricted to the free of charge replacement or repair of the failed product only. Our liability will under no circumstances extend beyond the repair or replacement of the product supplied by us. Claims for either labour in replacement or damage to property are not admissible. Any goods that are returned, in the event of a problem, will belong to us.

Terms & Conditions

All products must be inspected once removed from the packaging and your point of purchase notified within 28 days of delivery of any scratches, blemishes or other damage. Your point of purchase will then agree appropriate action.

Imperfect radiators should therefore not be fitted and we will not accept responsibility for replacement of scratched or damaged radiators once they have been fitted. This includes any consequential loss or cost of fitting.

If we are not notified within 28 days of the date on the signed delivery note then it will be deemed that we have fully complied with our obligations and claims will not be considered.

Failure to comply with any of the above may invalidate any claims. We recommend that after you check the product on delivery that it is stored in its packaging to prevent damage prior to installation, we cannot accept responsibility for items damaged after delivery.

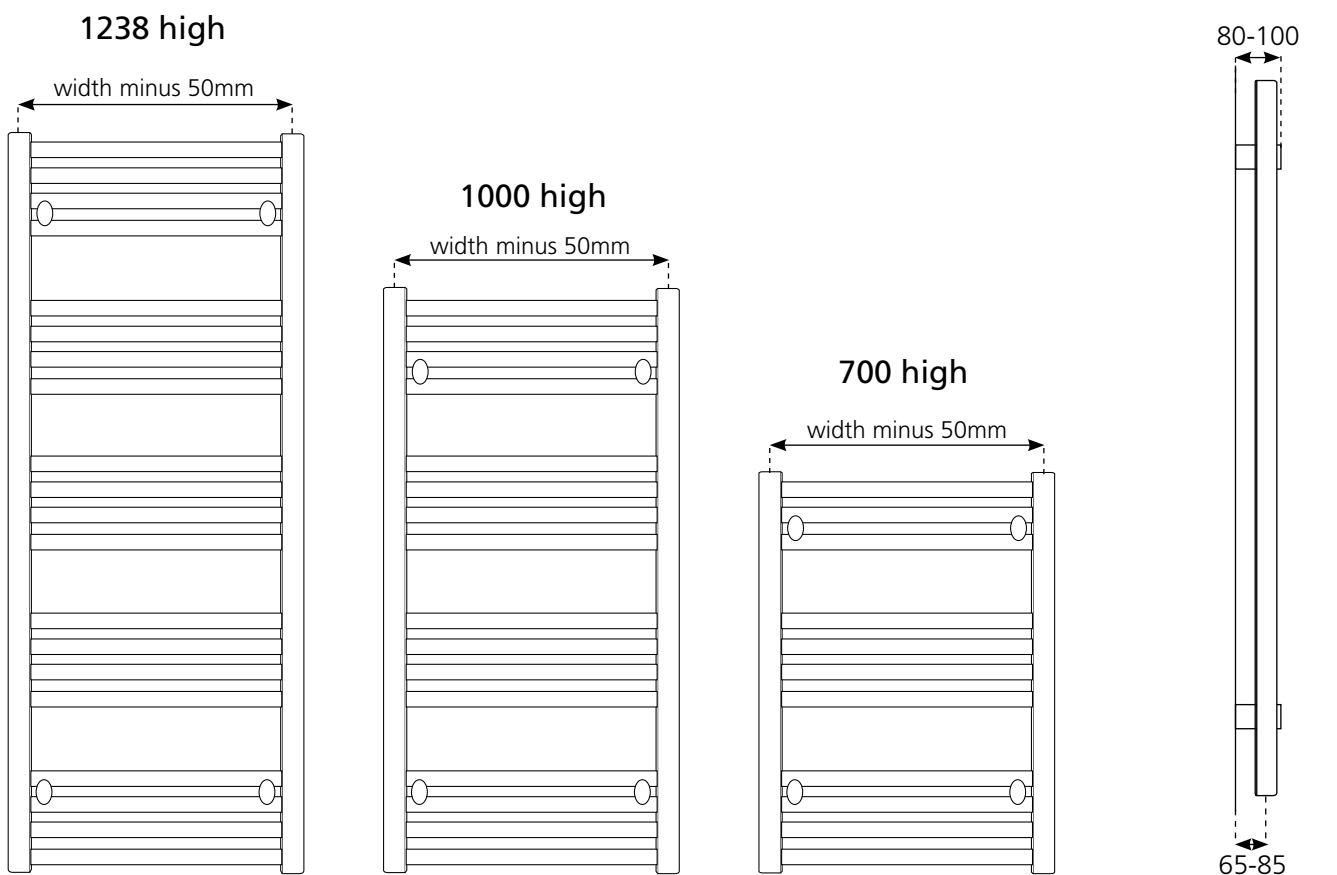
For full details of our Terms and Conditions please visit www.supplies4heat.co.uk or call us on 01342 306880.

Winsford Painted Fitting Instructions



Please read these instructions and terms and conditions carefully prior to installation. Failure to do so may invalidate the warranty.

Drawings



Pipe Centres

Pipe centres left to right	=	width minus 50mm
Pipe centres from wall	=	65mm - 85mm
Depth from wall	=	80mm - 100mm

1. Unpack & Inspect

This product should have reached you in perfect condition. Please carefully unpack and inspect this radiator and all fittings. Your point of purchase must be notified of any shortages or damage within 28 days of delivery. For further information please see terms and conditions on reverse.

2. Contents

You should have:

- 1 Towel rail
- 4 Brackets (in parts)

You will need:

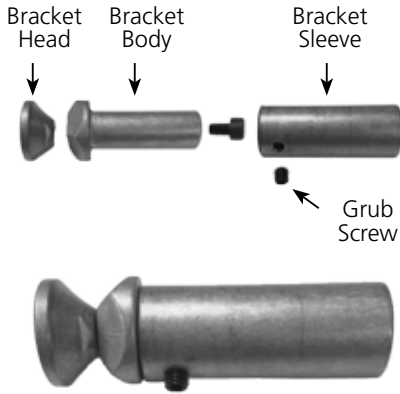
- Tape measure
- Electric drill and bits
- Spirit level
- Airvent key
- Appropriate wall fixings
- Spanner for valves and vents

Cleaning:

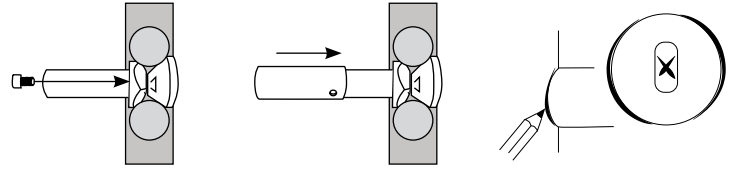
Steel products can be cleaned using a soft damp cloth with a non abrasive cleaning product.

3. Hang Towel Rail

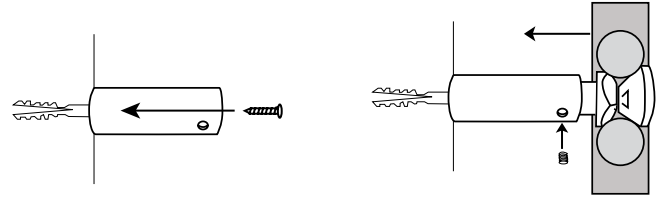
Refer to the diagrams overleaf, we have suggested positions for the brackets which will ensure even weight distribution.



Attach the brackets to the towel rail, with the brackets sleeves on. Hold up to the wall and mark the positions for the bracket.



Secure the bracket sleeve to the wall using suitable plugs and screws. Then insert the towel rail with the brackets on into the sleeves. Secure with the provided grub screw.



PLEASE NOTE :

It is essential that all brackets are level to ensure a vertical alignment for connecting the pipework.

4. Commission Radiator

Please Note: In accordance with Part L1 2006 of the Building Regulations and BS7593:1992 code of practice for the treatment of hot water and central heating systems, we strongly recommend flushing the heating system post installation of new radiators and then adding the correct quantity and type of inhibitor for use with your radiator and system to prevent corrosion. Damage caused to systems not protected by a suitable inhibitor will not be covered by manufacturer's guarantee.

Technical Specifications

Materials	Steel
Connections	½" flow and return.
Test pressure	10.5 Bar
Testing authority	EN442
Maximum operating pressure	8 Bar
Maximum working temperature	95°C
Packaging	Plastic wrapped in cardboard box

PLEASE NOTE: Systems using micro bore pipework must have adequate pressure and flow rates for the number and style of radiators on the system.

Guarantees & Liabilities

This product is guaranteed for 5 years. As we are not the manufacturers of this product we will take all reasonable endeavours to make over to you the benefit of any warranty or guarantee given by the manufacturer.

The guarantees in all cases are subject to the products being installed in accordance with British and or European standards as well as these fitting instructions. The guarantees in all cases are restricted to the free of charge replacement or repair of the failed product only. Our liability will under no circumstances extend beyond the repair or replacement of the product supplied by us. Claims for either labour in replacement or damage to property are not admissible. Any goods that are returned, in the event of a problem, will belong to us.

Terms & Conditions

All products must be inspected once removed from the packaging and your point of purchase notified within 28 days of delivery of any scratches, blemishes or other damage. Your point of purchase will then agree appropriate action.

Imperfect radiators should therefore not be fitted and we will not accept responsibility for replacement of scratched or damaged radiators once they have been fitted. This includes any consequential loss or cost of fitting.

If we are not notified within 28 days of the date on the signed delivery note then it will be deemed that we have fully complied with our obligations and claims will not be considered.

Failure to comply with any of the above may invalidate any claims. We recommend that after you check the product on delivery that it is stored in its packaging to prevent damage prior to installation, we cannot accept responsibility for items damaged after delivery.

For full details of our Terms and Conditions please visit www.supplies4heat.co.uk or call us on 01342 306880.