

BOLEYN

- Classic steel towel rail with a steel multi column radiator
- Chrome with white RAL 9016 multi column sections
- Standard delivery 48-72 hours
- Optional next-day delivery available (pg.2)
- Dual fuel option available, please specify at time of order



Sizes and Prices

Dimensions (mm)			Sections	Output Δt 50°C		Product Code	Price Ex VAT	Price Inc VAT	Price +Valves Ex VAT	Price +Valves Inc VAT
Height	Width	Depth		Watts	Btu's					
Floor Standing										
965	540	230	5	392	1338	BOLE965405	£565.00	£678.00	£604.00	£724.80
	673	230	8	554	1890	BOLE966708	£672.00	£806.40	£711.00	£853.20
	765	230	10	653	2228	BOLE967610	£771.00	£925.20	£810.00	£972.00
Wall Mounted										
740	675	250	8	568	1938	BOLE746708	£787.00	£944.40	£826.00	£991.20

*+Valve Prices include Chrome WILLOW Valves, angled only.

The BOLEYN is suitable for use as dual fuel, please see pages 98-99 for available Electric Elements.

Supplement Prices for Dual Fuel Option

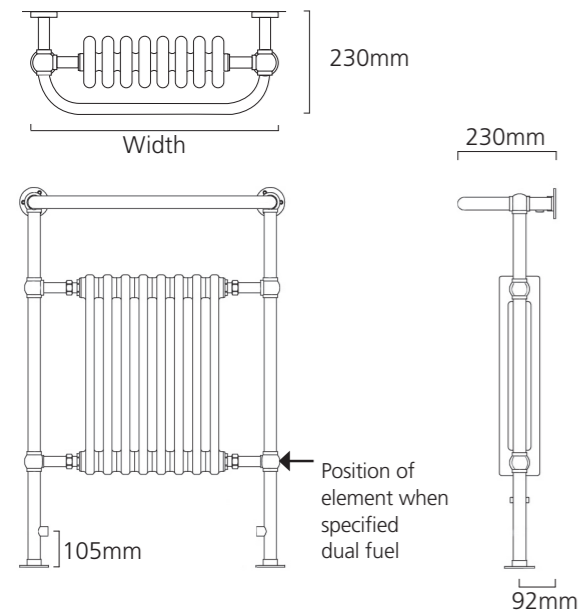
Description	Product Code	Price Ex VAT	Price Inc VAT
200W Dual Energy Element (for 5 Section Rail)	200WDEELE	£63.00	£75.60
400W Dual Energy Element (for 8 & 10 Section Rail)	400WDEELE	£72.00	£86.40

Please Note: Elements have an IP rating of 55 and are guaranteed for 2 years.

Pipe Centres and Technical Drawings

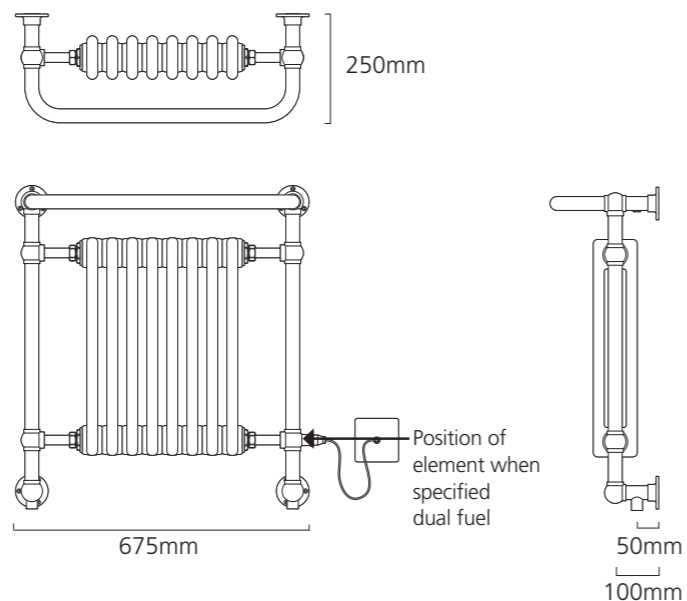
Boleyn Floor Standing

Pipe centres left to right = Width less 145mm less valves
 Pipe centres from wall = 92mm
 Depth from wall = 230mm



Boleyn Wall Mounted

Pipe centres left to right = Width less 75mm
 Pipe centres from wall = 50mm
 Depth from wall = 250mm



BOLEYN Wall Mounted option available

+Valves Prices include Chrome WILLOW Valves



Please specify at time of order



Dual Fuel option available



◆ BOLEYN Floor Standing 965mm x 765mm shown with WILLOW Valves.