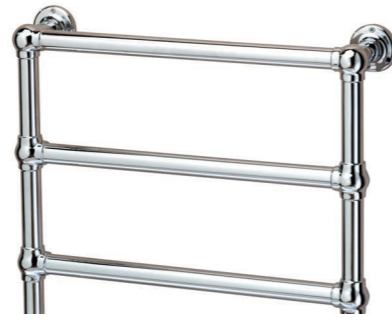


CLEVES

- Classic steel towel rail in chrome
- Floor or wall mounted options, delivered in 48-72 hours
- Optional next-day delivery available (pg.2)
- Dual fuel available, please specify at time of order



Sizes and Prices

Dimensions (mm)			Cross Tubes	Output Δt 50°C		Product Code	Chrome Ex VAT	Chrome Inc VAT	Chrome +Valves Ex VAT	Chrome +Valves Inc VAT
Height	Width	Depth		Watts	Btu's					
Wall Mounted										
750	500	125	4	137	467	CLEV75504C	£523.00	£627.60	£562.00	£674.40
Floor Standing										
848	598	137	4	163	556	CLEV845904C	£540.00	£648.00	£579.00	£694.80
1548	598	144	5	310	1058	CLEV155905C	£656.00	£787.20	£695.00	£834.00

*+Valve Prices include Chrome WILLOW Valves, angled only.

The CLEVES is suitable for use as dual fuel, please see pages 98-99 for available Electric Elements.

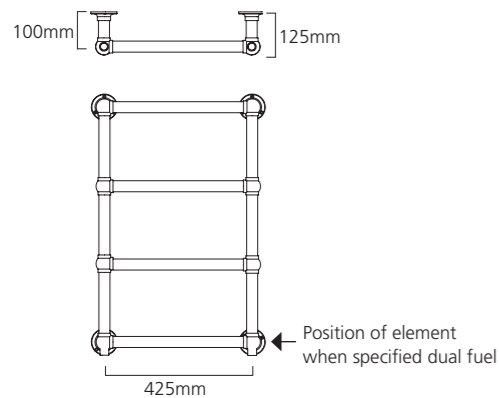
Supplement Prices for Dual Fuel Option

Description	Product Code	Price Ex VAT	Price Inc VAT
100W Dual Energy Element (for Wall Mounted Rail)	100WDEELE	£62.00	£74.40
100W Dual Energy Element (for Floor Standing Rail 848 x 598)	100WDEELE	£62.00	£74.40
150W Dual Energy Element (for Floor Standing Rail 1548 x 598)	150WDEELE	£63.00	£75.60

Please Note: Elements have an IP rating of 55 and are guaranteed for 2 years.

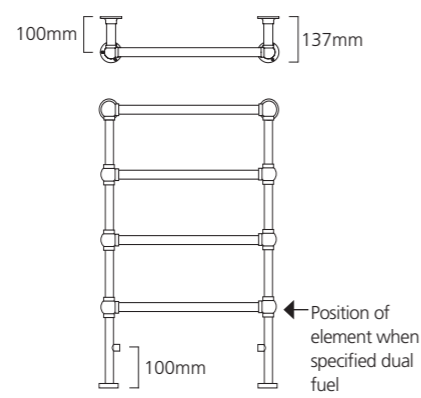
Pipe Centres and Technical Drawings

Wall Mounted 750mm high



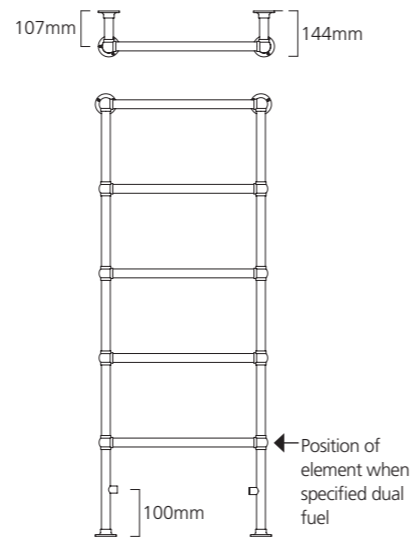
Pipe centres left to right = Width less 75mm
 Pipe centres from wall = 100mm
 Depth from wall = 125mm

Floor Standing 848mm high



Pipe centres left to right = Width less 145mm less valves
 Pipe centres from wall = 848mm high = 100mm, 1548mm high = 107mm
 Depth from wall = 848mm high = 137mm, 1548mm high = 144mm

Floor Standing 1548mm high



Floor Standing option

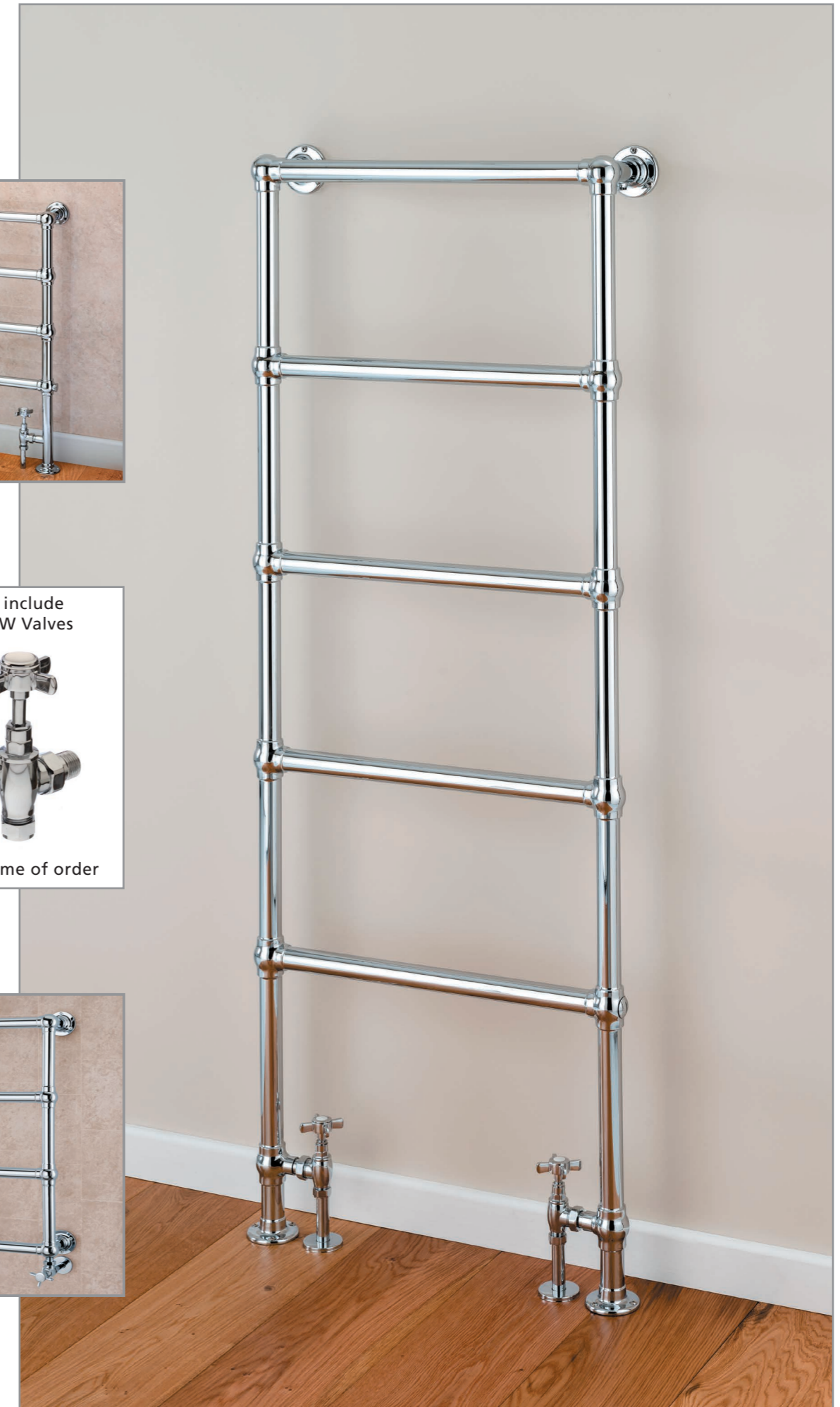
+Valves Prices include Chrome WILLOW Valves



Please specify at time of order



Wall Mounted option



◆ CLEVES Floor Standing 1548mm x 598mm shown with WILLOW Valves.